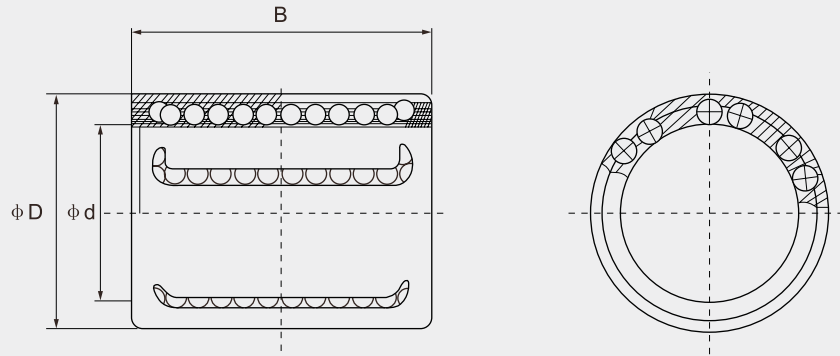


## WJB 沖壓外圈型: KH

Pressing Bush Bearing: KH



KH...

型號 Model	主要尺寸 Major dimensions (mm)			額定負荷 Basic load rating		重量 Weight (g)
	φd	φD	B	動負荷 Dynamic C N	靜負荷 Static Co N	
KH0622PP	6	12	22	400	239	7
KH0824PP	8	15	24	435	280	12
KH1026PP	10	17	26	500	370	14.5
KH1228PP	12	19	28	620	510	18.5
KH1428PP	14	21	28	620	520	20.5
KH1630PP	16	24	30	800	620	27.5
KH2030PP	20	28	30	950	790	32.5
KH2540PP	25	35	40	1,990	1,670	66
KH3050PP	30	40	50	2,800	2,700	95
KH4060PP	40	52	60	4,400	4,450	182
KH5070PP	50	62	70	5,500	6,300	252

### 型號表示法

### Type number format

不標	不帶密封	No entry	No seals
P	單密封	P	Seal on one side
PP	雙密封	PP	Seal on both sides